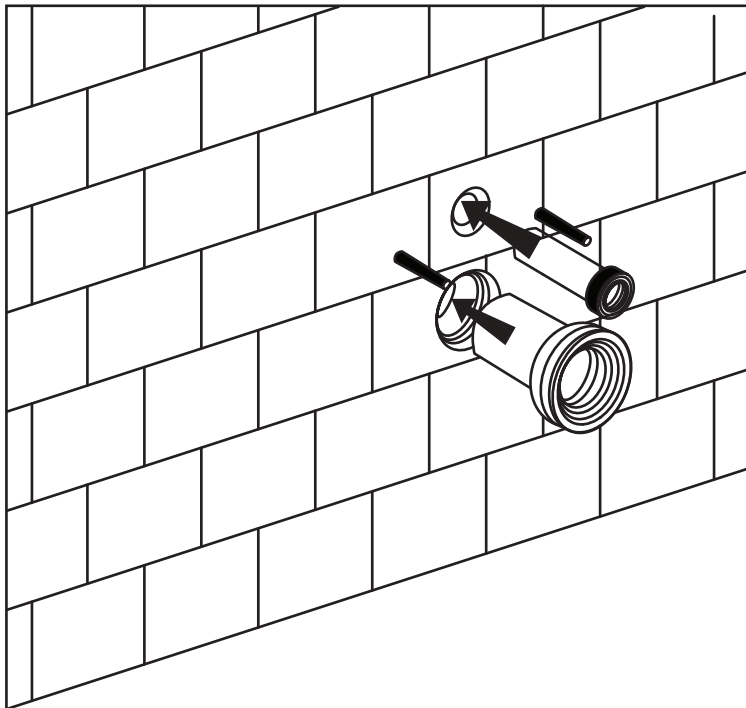


Installation Instructions

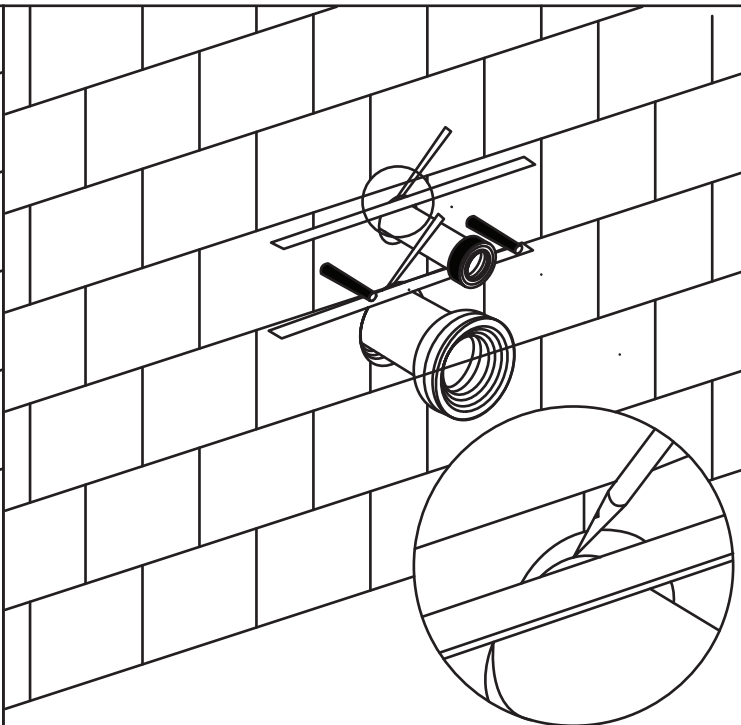
#WT20RM



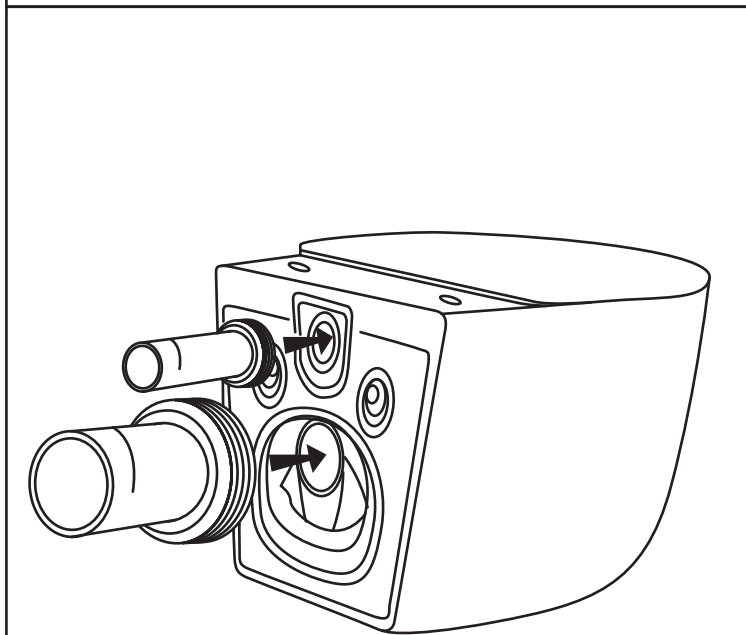
Nebula™
CONCEALED TANKS NEBULA™ COLLECTION



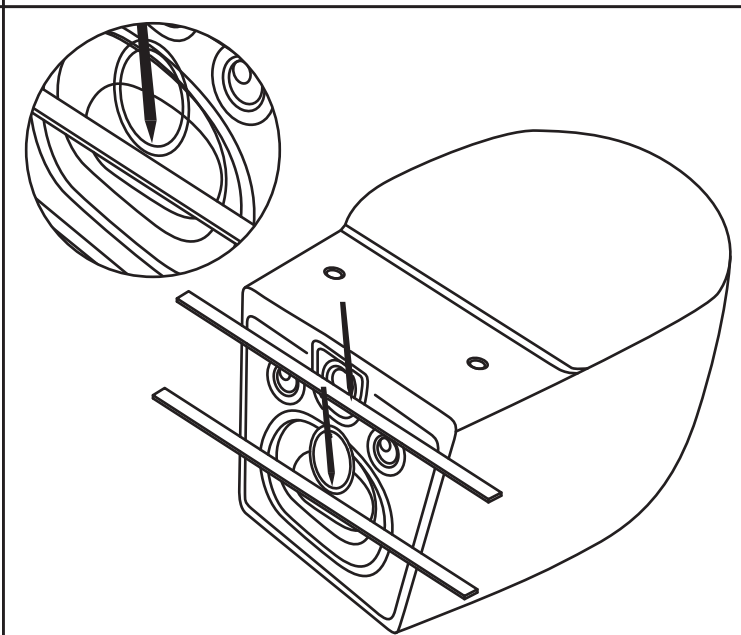
Fully insert the straight tube into cistern flushing outlet and connecting pipe into discharging outlet.



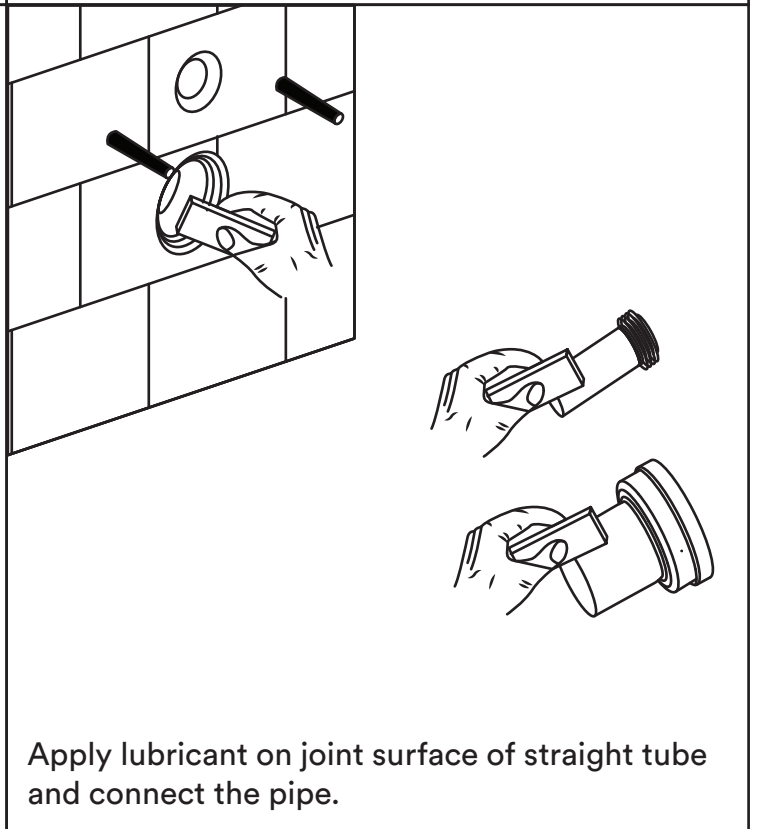
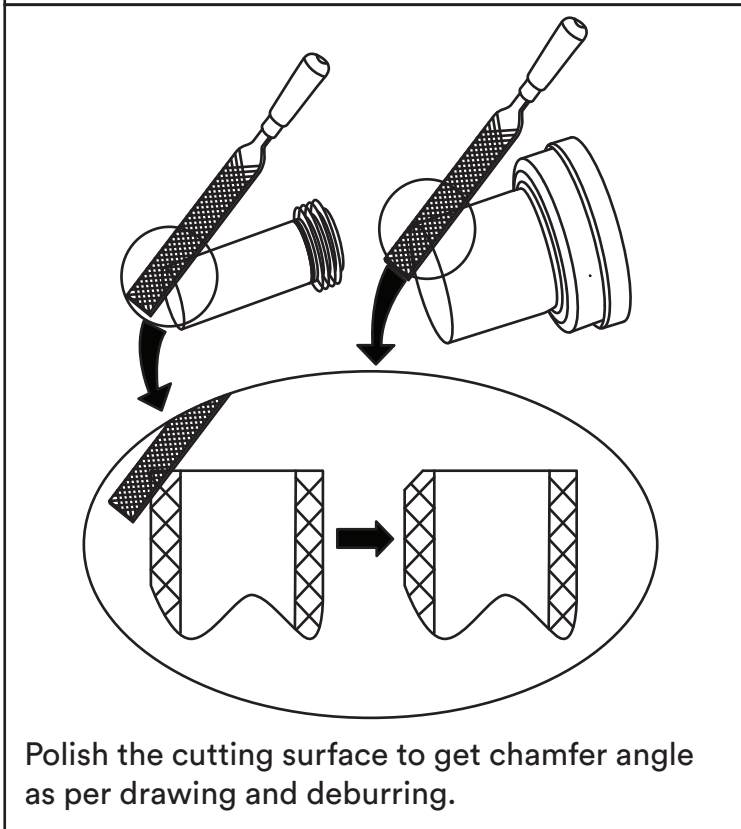
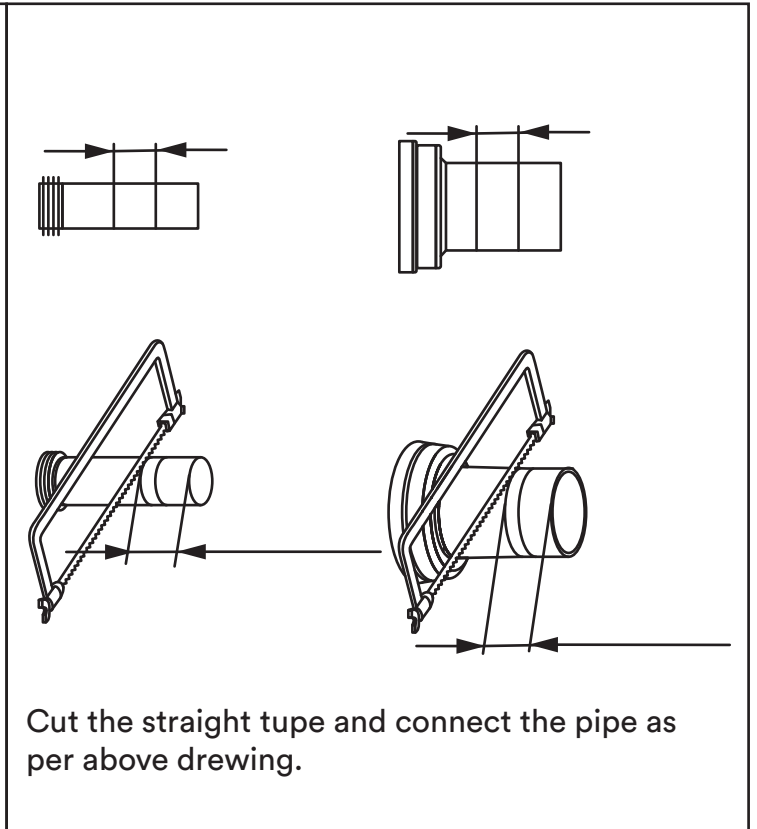
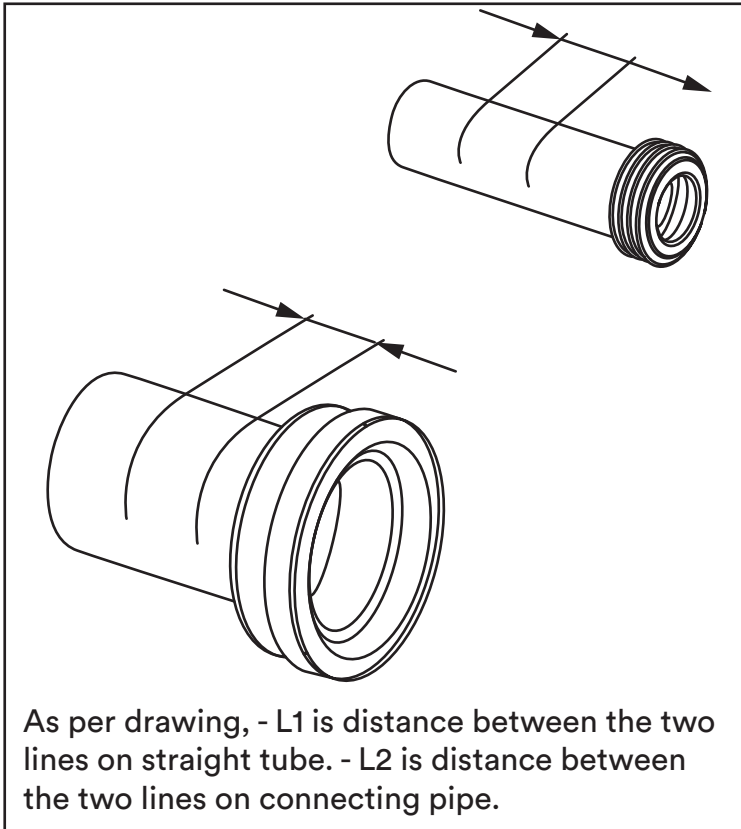
Draw the lines as the above picture.

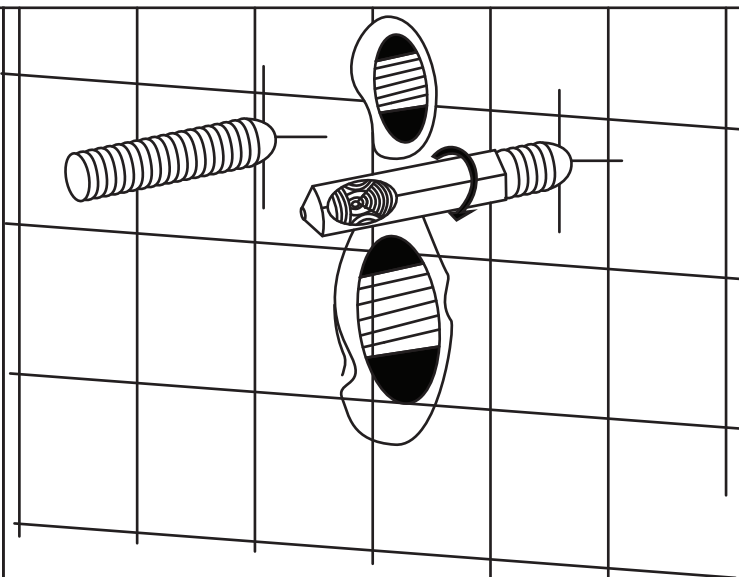
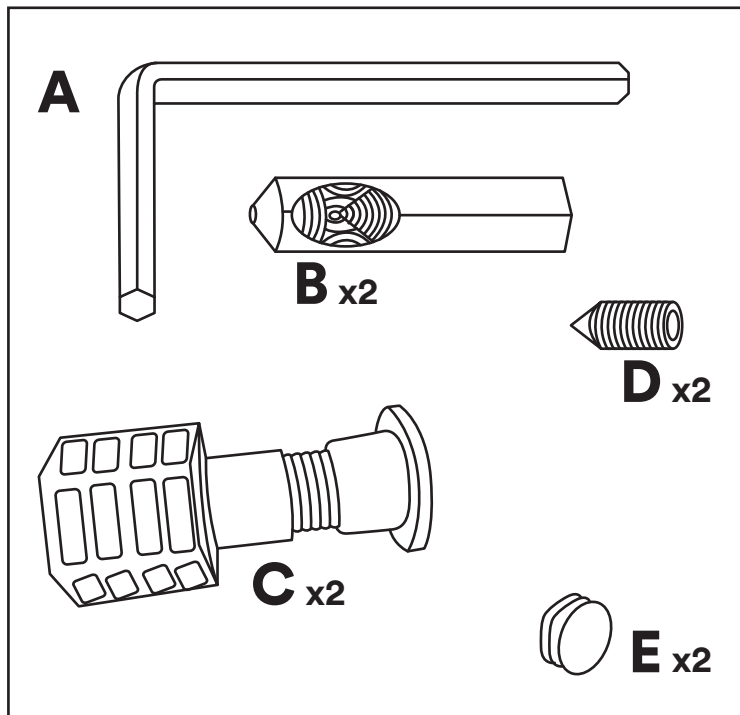


Apply lubricant on rubber washers of straight tube and connecting pipe, then insert into ceramic holes.



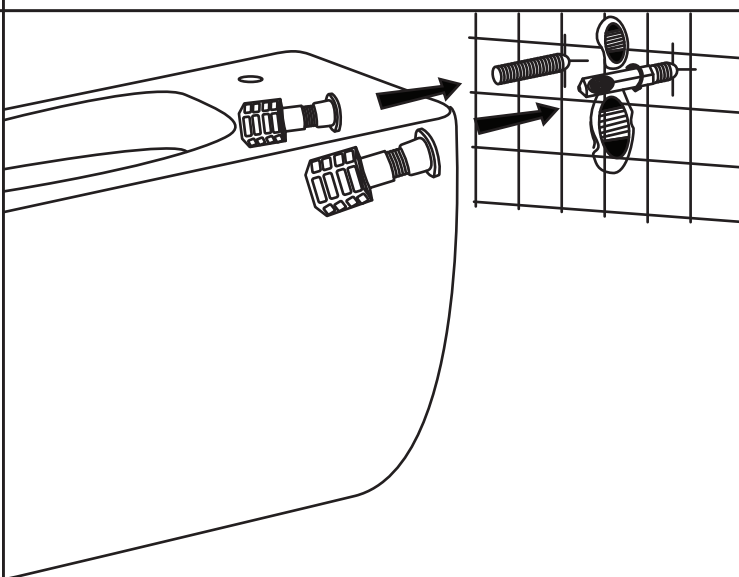
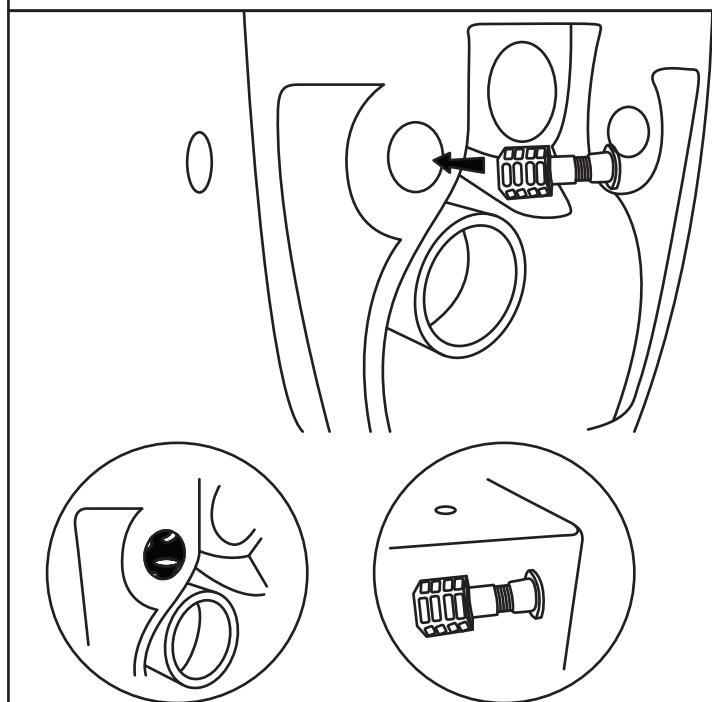
Draw the lines as the above picture.





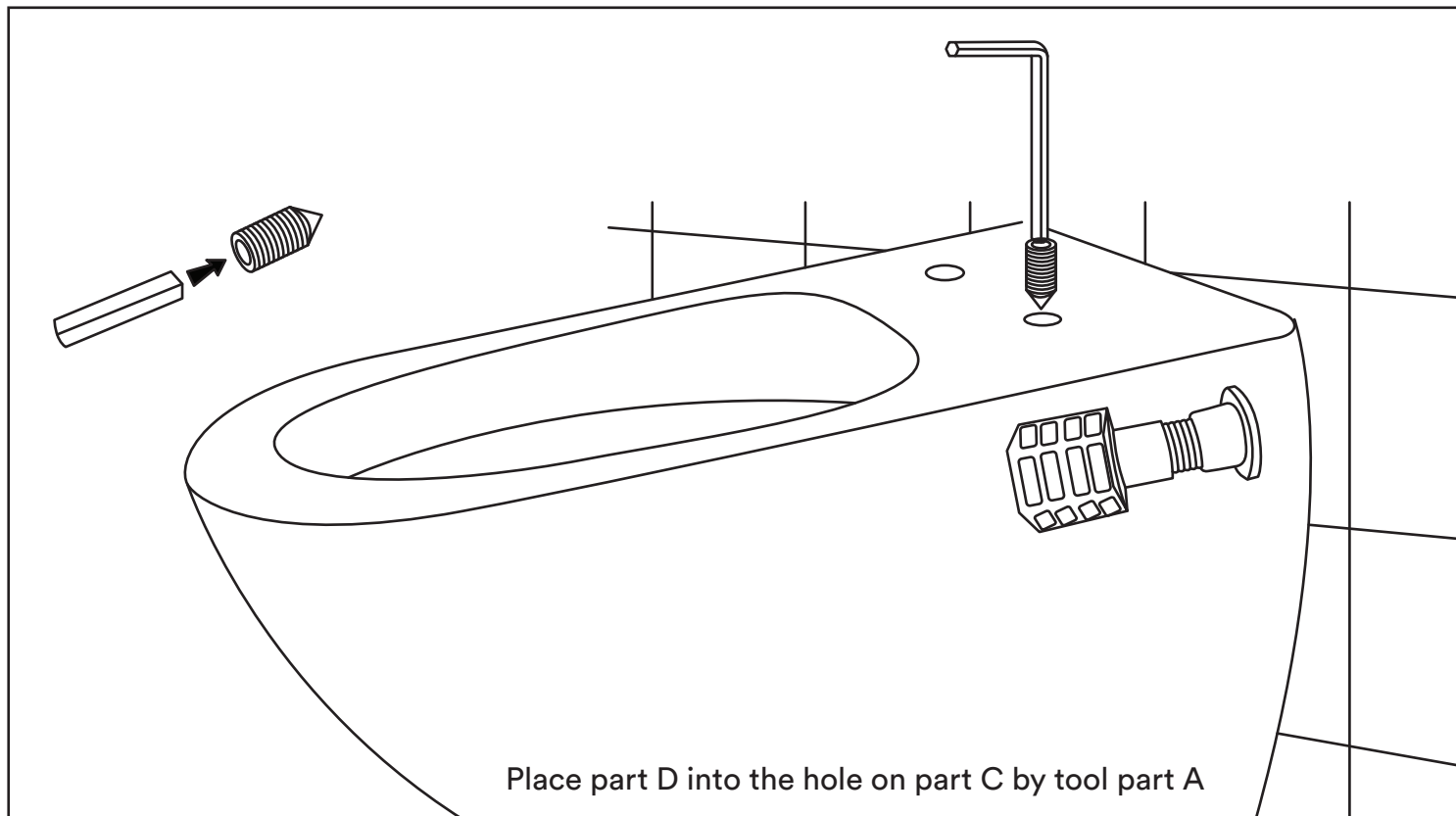
Five accessories:
Part A. - Part B. - Part C. - Part D. - Part E.

Place part B into the screw as the above picture.



Place part C into the installing hole on the pan.

Insert Part C into Part B.



Retain these installation instructions for future reference!

Thank you for using Fine Fixtures!